

SR - Slim Rings

Light Gauge Galvanized Piping System – Assembly



Specifications

Material: Galvanized steel

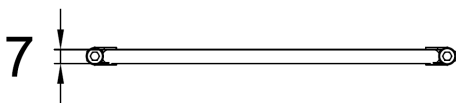
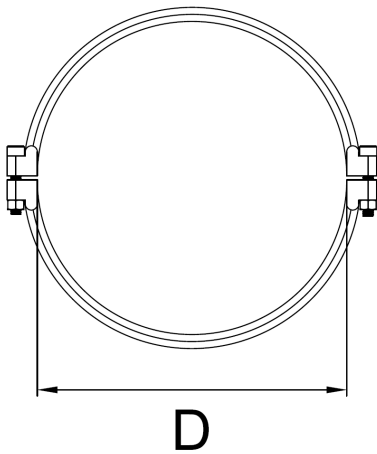
Surface: Electro galvanized

Description

For connecting galvanized piping with beaded ends.

Slim rings are made from 0.8 mm galvanized steel.

Inclusive of bolts and nuts.



D (mm)	Part no.	Weight (kg/10 pcs)
80	01010080	0.6
100	01010100	0.6
120	01010120	0.7
125	01010125	0.7
140	01010140	0.8
150	01010150	0.8
160	01010160	0.8
180	01010180	0.9
200	01010200	0.9
225	01010225	1.0
250	01010250	1.0
275	01010275	1.1
300	01010300	1.3
315	01010315	1.3
350	01010350	1.4
400	01010400	1.5
450	01010450	1.7
500	01010500	1.9